

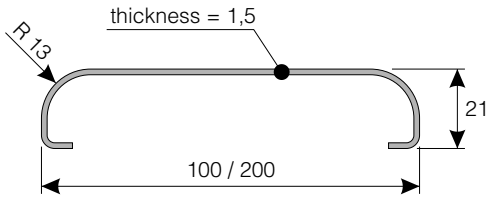
FACEPLATES

GILDA "Classic" car operating panel

St/steel or PVD faceplate 1,5 mm thick
 Faceplate ends in polycarbonate and st/steel
 or polycarbonate and PVD.
 Total faceplate thickness: 21 mm.
 Ultra slim components (see page P 4.03)
 with maximum thickness 19 mm.

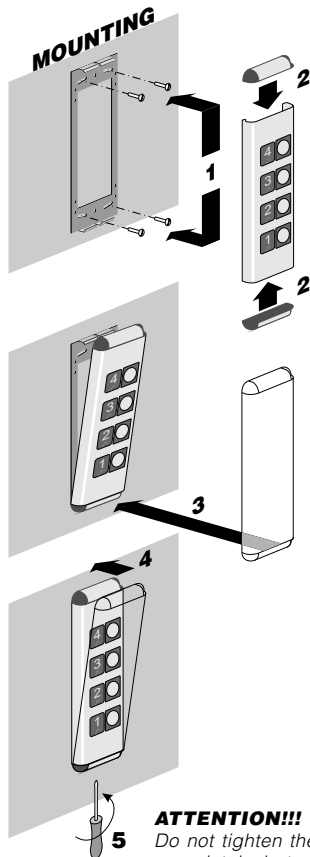


Fixing on the wall by hidden screws
without any cutting or patching

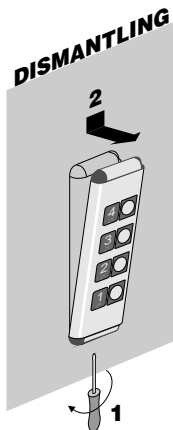


scale 1:2

| Width | Depth | Length series 100 | Length series 200 | Length Column |
|-------|-------|-------------------|---|---------------|
| 100 | 21 | 227 | 407 | 1950 |
| 200 | | 257 | 507 | |
| | | 307 | 607 | |
| | | 407 | 707 | |
| | | 507 | 807 | |
| | | 607 | 907 | |
| | | 707 | 1007 | |
| | | | <i>out of standard lengths on request</i> | |



Same fixing
 for faceplate width
 100 mm and 200 mm



ATTENTION!!!
 Do not tighten the screw
 completely, but until the
 faceplate is fixed properly

| AVAILABLE COMBINATIONS | Plastic parts (halo, push-buttons and faceplate ends) |
|------------------------|---|
| ST/STEEL | Chagall Blue (RAL 5022) Grey (RAL 7016) |
| PVD | Claret (RAL 3003) |

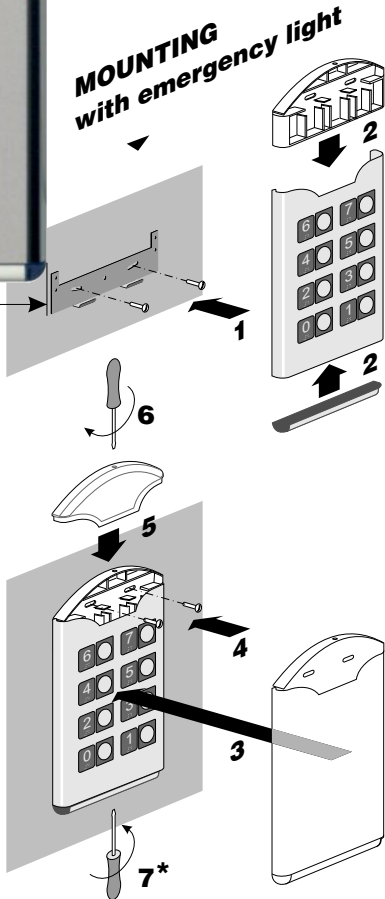
GILDA "Classic" car operating panel



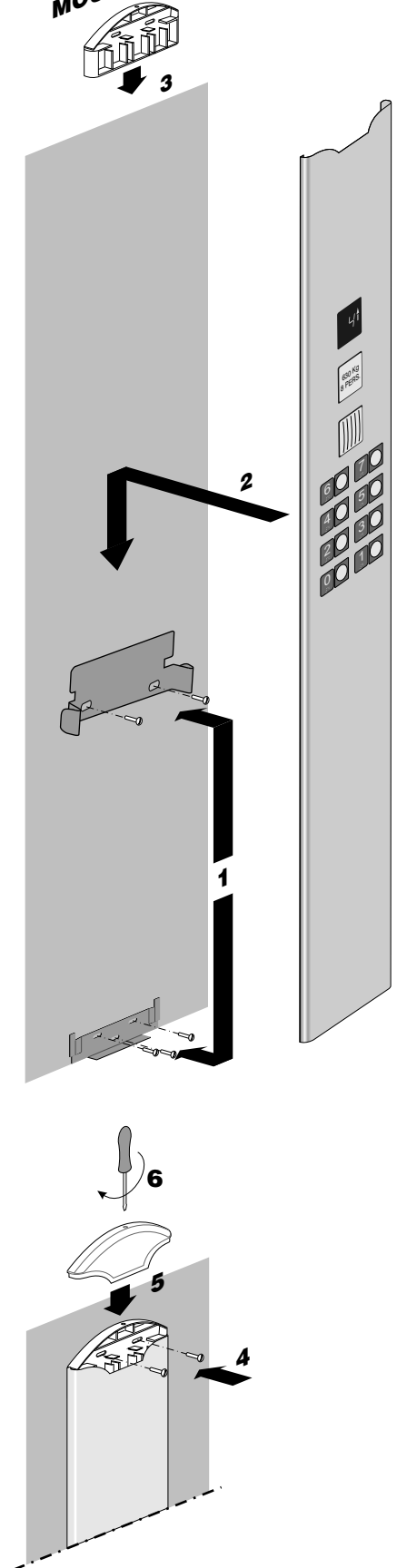
Car operating panel
(top end
with emergency light
available
for series 200 only)

Full height column
(available only
with emergency
light on top end)

MOUNTING
with emergency light



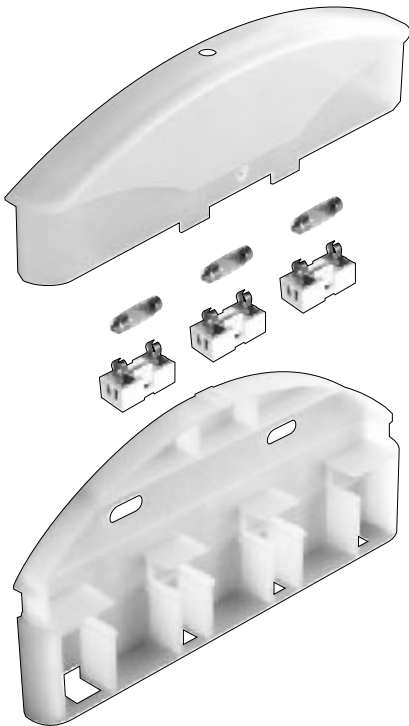
MOUNTING



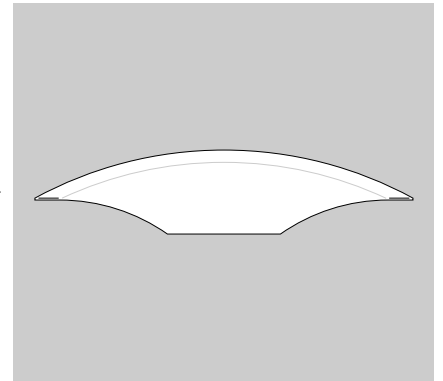
FACEPLATES

GILDA "Classic" car operating panel

emergency light for series 200



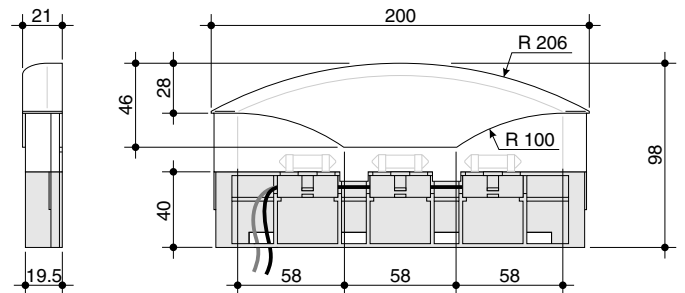
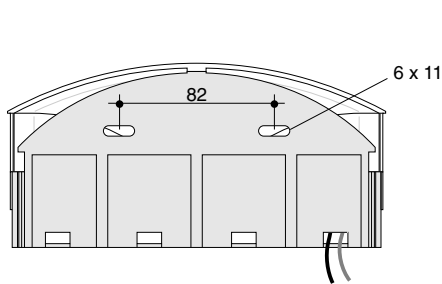
White opaque unbreakable and shock-resistant polycarbonate lens. Emergency light body in white glass filled nylon, resistant to high temperatures. Lamps can be replaced without disassembling the car operating panel.



TECHNICAL FEATURES

EMERGENCY LIGHT GILDA 200

| | |
|---------------------|---|
| Mounting | flush with faceplate surface |
| Dimensions | 200 X 46 X 21 mm |
| Wiring | wires screwed on terminals; suggested wire sections: 0,5 ÷ 1,5 mm ² |
| Fixing | structure incorporated |
| Lamp life | 1000 h |
| Illumination | 3 festoon lamps 12V |



Note :
On request, customers' logo can be tampographed or silk screen printed on the emergency light

FACEPLATES

GILDA "Classic" car operating panel

| CODES PANEL | WIDTH | AVAILABLE STANDARD LENGTHS AND CODES | | | | | | |
|--------------------------|-------|--------------------------------------|----------|----------|----------|----------|----------|----------|
| | | 227 | 257 | 307 | 407 | 507 | 607 | 707 |
| <i>st/steel 320 GRIT</i> | 100 | PSG10122 | PSG10125 | PSG10130 | PSG10140 | PSG10150 | PSG10160 | PSG10170 |
| <i>PVD</i> | 100 | PBG10122 | PBG10125 | PBG10130 | PBG10140 | PBG10150 | PBG10160 | PBG10170 |

| CODES PANEL | WIDTH | AVAILABLE STANDARD LENGTHS AND CODES | | | | | | |
|--------------------------|-------|--------------------------------------|----------|----------|----------|----------|----------|-----------|
| | | 407 | 507 | 607 | 707 | 807 | 907 | 1007 |
| <i>st/steel 320 GRIT</i> | 200 | PSG20140 | PSG20150 | PSG20160 | PSG20170 | PSG20180 | PSG20190 | PSG201100 |
| <i>PVD</i> | 200 | PBG20140 | PBG20150 | PBG20160 | PBG20170 | PBG20180 | PBG20190 | PBG201100 |

Note : For face plates with emergency light add "L" at end of the code

| CODES COLUMN | WIDTH | AVAILABLE STANDARD LENGTHS AND CODES 1950 |
|--------------------------|-------|--|
| <i>st/steel 320 GRIT</i> | 200 | PSG2015S |
| <i>PVD</i> | 200 | PBG2015S |

| CODES TOP ENDINGS | WIDTH | <i>st/steel 320 GRIT</i> | <i>PVD</i> |
|-------------------------------------|--------------------|--|------------|
| | | top and bottom faceplate ends (standard versions) | 100 200 |
| top end with emergency light | 1,5W • 12V • AC/DC | RGLEPG0123 | |

Each code includes both top and bottom faceplate ends

| CODES FIXING METAL BRACKETS (see page P 4.02) | BOTTOM | MIDDLE |
|---|--|------------------------|
| | FOR PANEL with emergency light on top end | RGSM20P (min. 10 pcs.) |
| FOR FULL HEIGH COLUMN | RGSM20C (min. 10 pcs.) | RGSP20C (min. 10 pcs.) |

